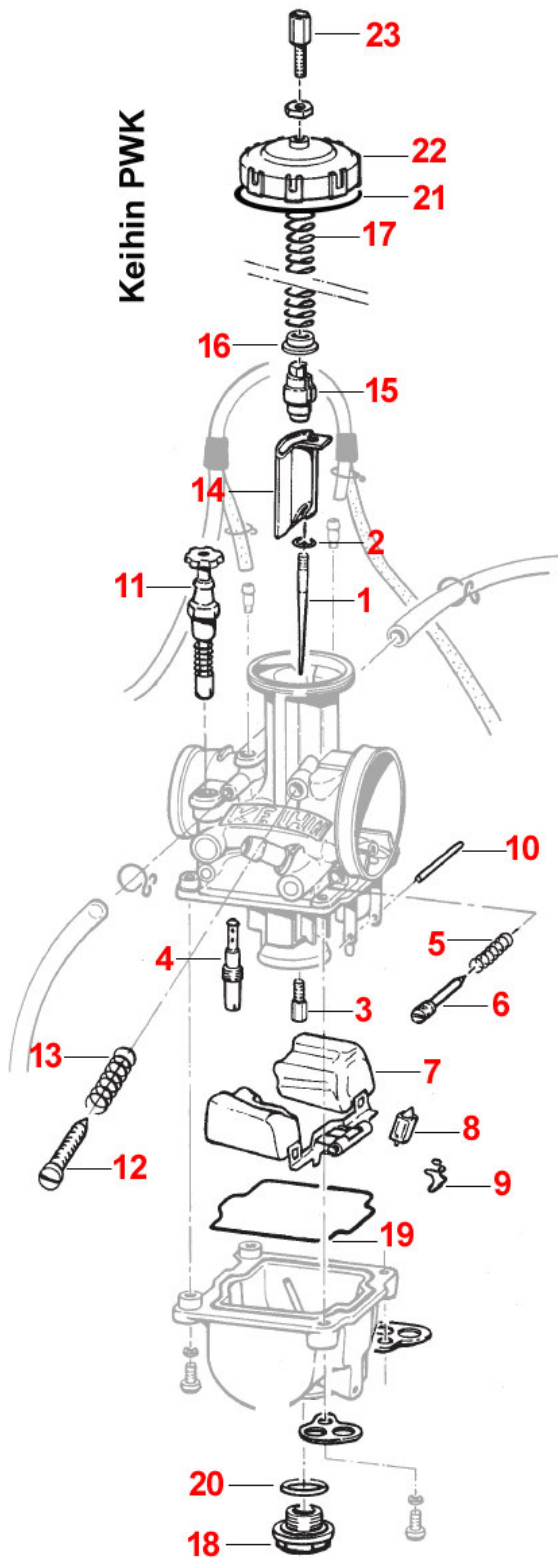
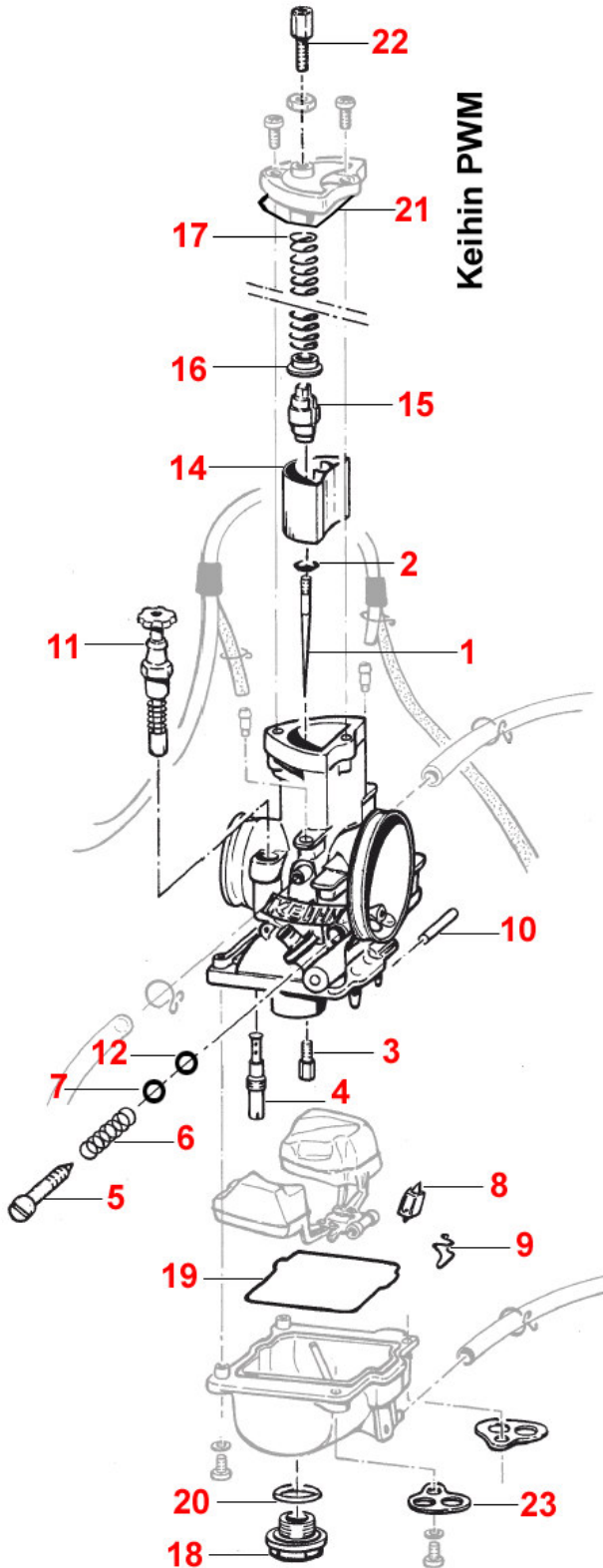


Keihin PWK Ø 38



Pos.	Code	Description
1	D24101. TYPE	JET NEEDLE
		Jet Needle available:
		N1EE – N1EC – N1ED – N4SC
2	D24111	CLIP JET NEEDLE
3	D24100. SIZE	MAIN JET
		Main Jet available:
		135 – 140 – 145 – 148 – 150 – 152 – 155 – 158 160 – 162 – 165 – 168 – 170 – 172 – 175 – 178 180 – 182 – 185 – 188 – 190 – 192 – 195 – 198 200
4	D24102. SIZE	SLOW JET
		Slow Jet available:
		35 – 38 – 40 – 42 – 45 – 48 – 50 – 52 – 55 58 – 60
5	D24110	SPRING
6	D24121	SCREW, AIR ADJUST
7	D24124	FLOAT BOWL COMP.
8	D24113	FLAOT VALVE COMP.
9	D24114	CLIP. FLOAT VALVE
10	D24103	PIN, FLOAT
11	F24309	STARTER VALVE COMP.
12	D24104	IDLE ADJUSTER (PLASTIC)
13	D24105	SPRING
14	D24109	THROTTLE VALVE
15	D24119	CABLE HOLDER
16	D27118	COLLAR
17	D24117	SPRING, THROTTLE
18	D24115	PLUG SCREW
19	D24127	GASKET, FLOAT BOWL
20	D24108	O-RING, PLUG SCREW
21	D24123	GASKET
22	D24122	TOP
23	D24131	CABLE ADJUSTER

Keihin PWM Ø 38



Pos.	Code	Description
1	D24101. TYPE	JET NEEDLE Jet Needle available: N1EE – N1EC – N1ED – N4SC
2	D24111	CLIP JET NEEDLE
3	D24100. SIZE	MAIN JET Main Jet available: 135 – 140 – 145 – 148 – 150 – 152 – 155 – 158 160 – 162 – 165 – 168 – 170 – 172 – 175 – 178 180 – 182 – 185 – 188 – 190 – 192 – 195 – 198 200
4	D24102. SIZE	SLOW JET Slow Jet available: 35 – 38 – 40 – 42 – 45 – 48 – 50 – 52 – 55 58 – 60
5	D24121	SCREW, AIR ADJUST
6	D24110	SPRING
7	D24129	WASHER
8	D24132	FLAOT VALVE COMP.
9	D24114	CLIP. FLOAT VALVE
10	D24103	PIN, FLOAT
11	F24309	STARTER VALVE COMP.
12	D24120	O-RING
14	D24125	THROTTLE VALVE
15	D24119	CABLE HOLDER
16	D27118	COLLAR
17	D24117	SPRING, THROTTLE
18	D24115	PLUG SCREW
19	D24127	GASKET, FLOAT BOWL
20	D24108	O-RING, PLUG SCREW
21	D24126	GASKET, TOP
22	D24131	CABLE ADJUSTER
23	D24128	ANCHOR PLATE